

# Assembling the Christie QwikRig rigging frame

With the Christie QwikRig rigging frame, the projector can be secured to trusses or structures built for the purpose of positioning the projector.

With the frame:

- Up to three projectors can be stacked in landscape orientation.
- A single projector can be positioned in portrait mode but no stacking is permitted.

Christie ships the frame separately from the projector.

## Affected products

The Christie QwikRig rigging frame is designed for use with the following projectors.

- H Series (D12HD-H and D12WU-H)
- Q Series (DWU951-Q, DHD951-Q, DWX951-Q, DXG1051-Q, DWU851-Q, DHD851-Q, DWX851-Q, DHD1052, DWU1052 )
- GS Series (DHD/DWU850-GS and DHD/DWU700-GS)
- D Series (LWU701i, LW751i, LX801i, LWU601i, LW651i)

The Christie QwikRig rigging frame does not support the DHD/DWU/DWX555-GS projector models.

## Safety warnings and guidelines

Read all safety and warning guidelines before starting this procedure.



**Danger!** Failure to comply with the following results in death or serious injury.

- Do not stack the device unless specified in this manual.
- Do not stack more than three projectors in landscape orientation.
- The supporting structure must safely support the combined load of the product, all attached hardware, and components following all local safety standards and regulations.
- Use all mounting points, including the safety point, when installing the product overhead.



**Warning!** Failure to comply with the following could result in death or serious injury.

- Only use this frame with the specified products.
- Safety straps must be used when stacking two or more rigging frames.
- Always install safety straps when the frame and projector are installed overhead.
- Do not stack empty frames.
- Projectors must be installed in frames before stacking.



**Notice.** Failure to comply with the following may result in property damage.

- Use appropriate packaging when shipping the product installed in the frame.

## Tools required

The following tools are required for installing the rigging frame.

- 4 mm hex key (Christie QwikRig rigging frame)
- 5 mm hex key (Q Series, D Series, and GS Series)
- 6 mm hex key (H Series)

### Optional tools

- Adjustment tool provided with the Christie QwikRig rigging frame



## Physical specifications

Learn the weight and physical dimensions of the Christie QwikRig rigging frame.

- Weight: 26.54 kg (58.5 lbs)
- Dimensions: 700 mm x 685 mm x 443 mm

## Installing the projector

Secure the projector to the base plate of the frame using the hardware provided.



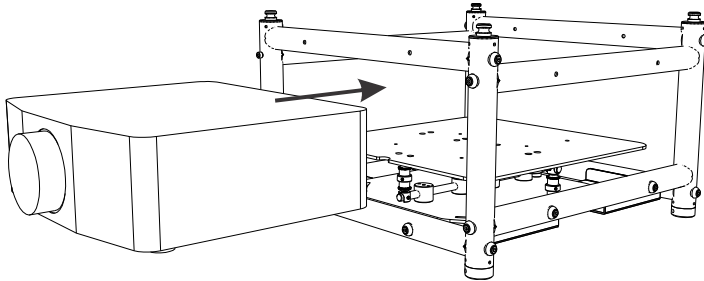
**Danger!** Failure to comply with the following results in death or serious injury.

- Use all mounting points, including the safety point, when installing the product overhead.



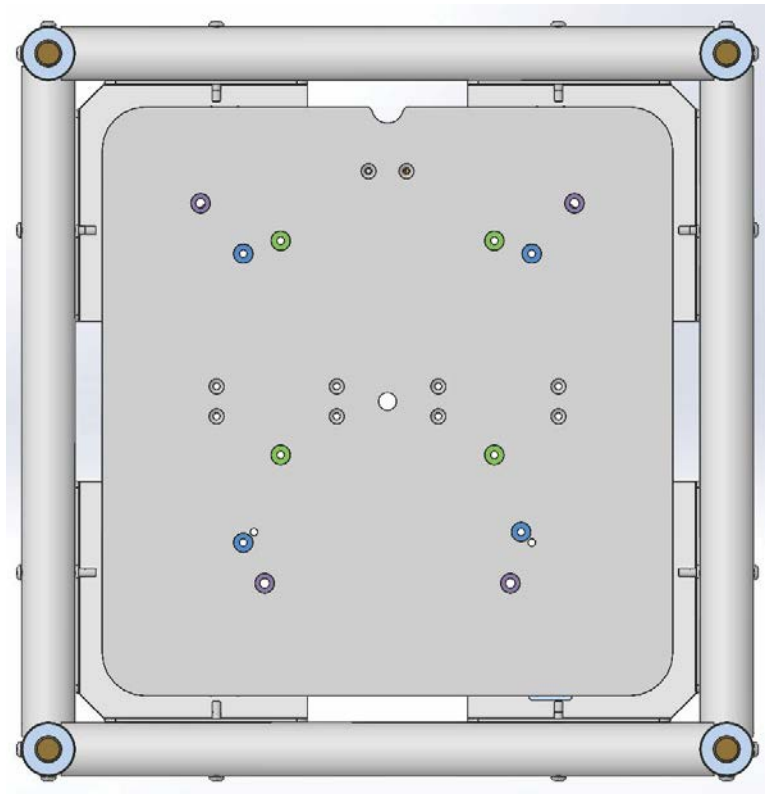
**Warning!** Failure to comply with the following could result in death or serious injury.

- A minimum of two people or appropriately rated lift equipment is required to safely lift, install, or move the product.
1. Turn the projector off. Allow the cooling fans to stop before disconnecting from AC power.
  2. Disconnect the projector from AC power.
  3. Verify the base plate is in a level position.  
If necessary, loosen the locking screws on each adjustment knob and adjust.
  4. Adjust the projector's feet so there is no extension. The projector must sit flat on the base plate.
  5. Carefully, insert the projector through the front or the rear of the rigging frame. The projector should align with the mounting holes in the base plate.



To make locating the mounting points of the projector easier, install a screw through one of the base plate's mounting holes.

6. Secure the projector to the correct mounting points, using four, hex socket head screws.
  - For H Series projectors, use M8-1.25, length = 35 mm, torque = 38 N.m
  - For GS Series projectors, use M6-1.0, length = 40 mm, torque = 16 N.m
  - For Q Series projectors, use M6-1.0, length = 20 mm with chamfer head, torque = 16 N.m
  - For D Series projectors, use M6-1.0, length = 30 mm with chamfer head, torque = 16 Nm



Green	Q Series and D Series
Blue	GS Series
Purple	H Series

## Stacking multiple framed projectors

Up to three framed projectors can be stacked in landscape orientation only, and then rigged in an upright or inverted position. Stacking in portrait orientation is not permitted.



**Danger!** Failure to comply with the following results in death or serious injury.

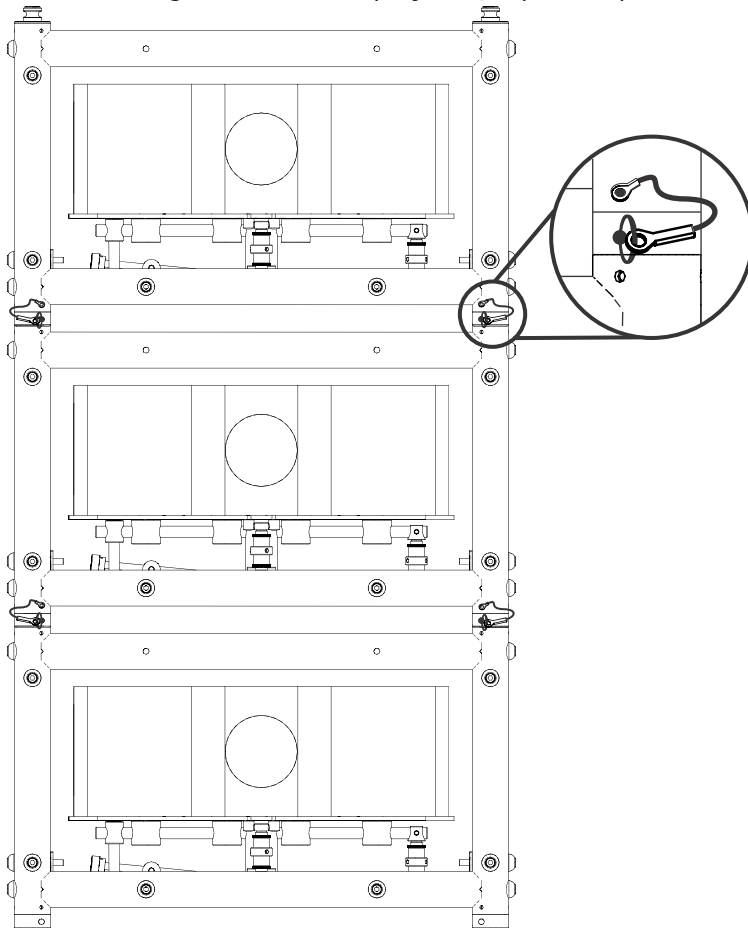
- TIP HAZARD! Stacked frames must be secured together using all locking pins.
- Do not stack the device unless specified in this manual.



**Warning!** Failure to comply with the following could result in death or serious injury.

- A minimum of four people or appropriately rated lift equipment is required to safely lift, install, or move the product.
- The supporting structure must safely support the combined load of the product, all attached hardware, and components following all local safety standards and regulations.
- Do not stack more than three projectors in landscape orientation.
- Do not stack empty frames.
- Projectors must be installed in frames before stacking.

1. Remove the locking pins from each stacking leg.
2. With one person positioned on each side of the framed projector, lift the assembly and place it onto the bottom frame.  
Stacking in portrait orientation is not permitted
3. Verify the four stacking legs of the upper assembly are securely seated on the bottom frame.
4. Insert a locking pin through each of the stacking legs to lock the frames together.  
The steel ball on the end of the pin keeps the pin from releasing inadvertently.
5. Install safety straps (not included) between the frames.  
Safety straps must be adequately rated for the total load.
6. When stacking a third framed projector, repeat steps 1 to 4.

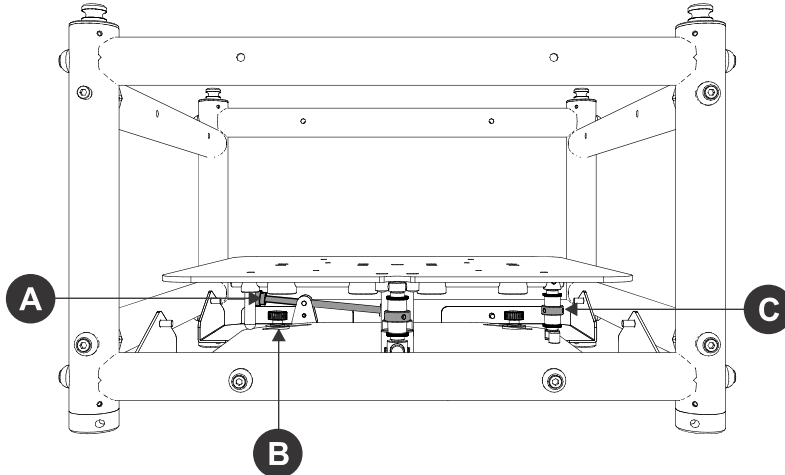


## Aligning stacked projectors

Stacked projectors must be correctly aligned to one another to achieve an optimally displayed image.

1. Hoist and secure a stack of projectors before aligning.
2. Loosen the locking screws on each adjustment knob.

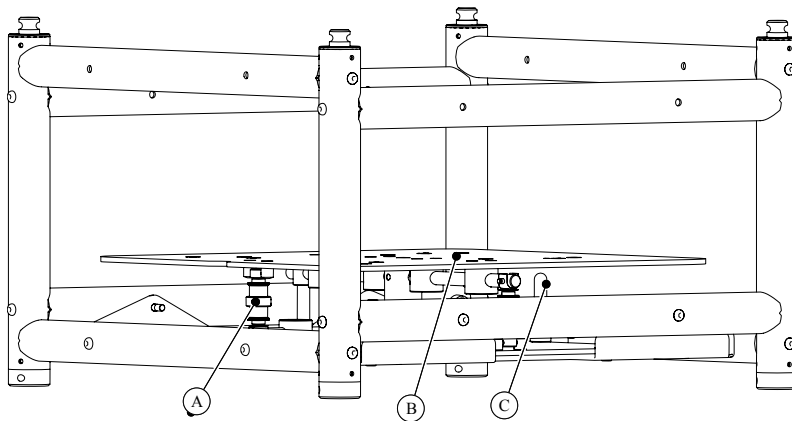
3. Before adjusting the roll, loosen the four screws on the base plate; otherwise, the adjustment knob can break during adjustment.
4. Adjust pitch, roll, or yaw, manually or with the optional adjustment tool provided with the frame, until the image geometry is optimized.



A	Roll—Rotates the image clockwise or counter-clockwise.
B	Yaw—Moves the image to the left or right.
C	Pitch—Moves the image up and down.

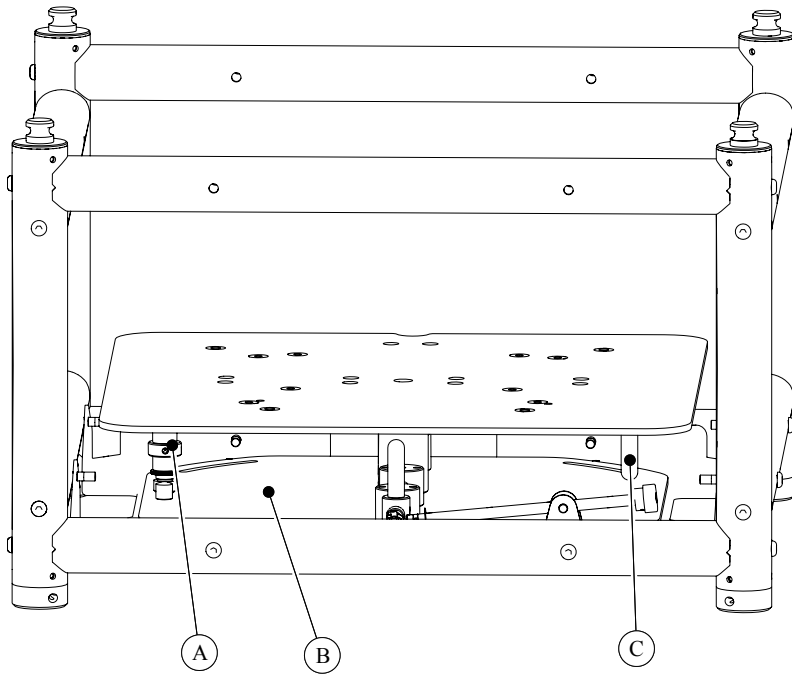
5. For pitch and yaw, ensure the gap between the pin and the plate is more than 0.5 mm. The pin limits the adjustment within the useful range.

- Pitch adjustment range:



ID	Description
A	Pitch knob
B	Plate
C	Limit range pin for pitch

- Yaw adjustment range:



ID	Description
A	Yaw knob
B	Plate
C	Limit range pin for yaw

6. To lock adjustments, tighten the setscrews on each adjustment knob.

## Technical support

Technical support for Christie products is available at:

- North and South America: +1-800-221-8025 or [Support.Americas@christiedigital.com](mailto:Support.Americas@christiedigital.com)
- Europe, Middle East, and Africa: +44 (0) 1189 778111 or [Support.EMEA@christiedigital.com](mailto:Support.EMEA@christiedigital.com)
- Asia Pacific: +65 6877-8737 or [Support.APAC@christiedigital.com](mailto:Support.APAC@christiedigital.com)